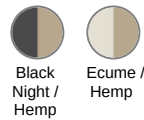


KI5601

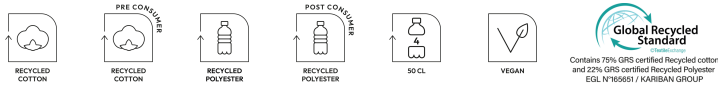
Recycled duffel bag

- Resistant duffel bag made from recycled materials.
- Incredibly comfortable 4.25-cm wide handles.
- Front pocket with zip fastening for added storage.

Recycled cotton / recycled polyester. 67% recycled cotton / 30% polyester / 3% other fibers (Black Night), 75% recycled cotton / 22% polyester / 3% other fibers (Ecume). The 4.25-cm handles for extra comfort in contrasting colours are stitched all around the bag for a touch of originality and greater durability. The bag has a front pocket with a zip fastening.



Certifications



Global Recycled Standard
 Contains 75% GRS certified Recycled cotton and 22% GRS certified Recycled Polyester
 EGL N°165651 / KARIBAN GROUP

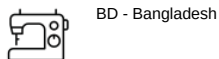
Global Recycled Standard
 Contains 67% certified Recycled cotton, 30% GRS certified Recycled Polyester
 EGL N°165651 / KARIBAN GROUP

More information

Logistic



Country of origin



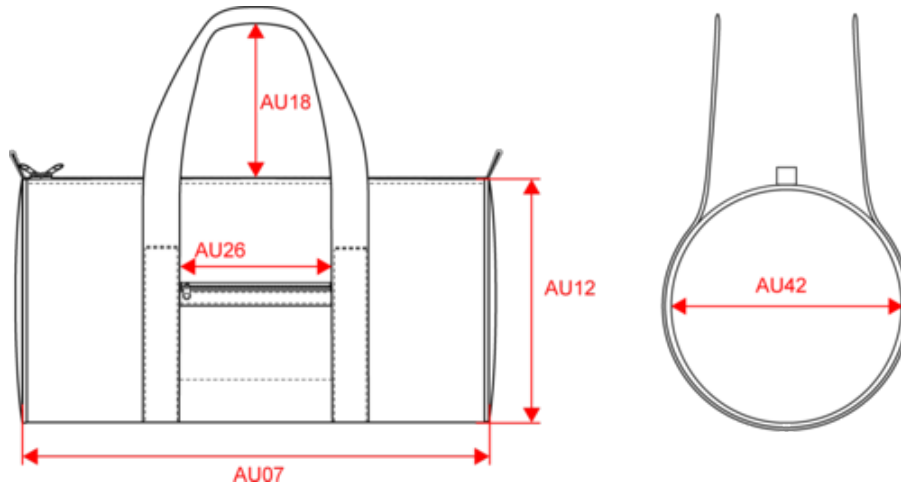
Customs code



KI5601

Recycled duffel bag

Dimensions (cm)



Measurements in cm	One Size
AU07 - Total width	50.00
AU12 - Total height	25.00
AU18 - Shoulder straps total height	25.00
AU26 - Pocket zipper length	16.00
AU42 - Bottom bag diameter	25.00



KI5601

Recycled duffel bag

Colours information



Black Night

RVB : 39,39,41
Pantone C : Neutral Black C
Pantone TCX : 19-4006TCX

Hemp

RVB : 165,143,116
Pantone C : 7504C
Pantone TCX : 16-1315TCX



Ecume

RVB : 221,211,194
Pantone C : 482C
Pantone TCX : 12-0304TCX

Hemp

RVB : 165,143,116
Pantone C : 7504C
Pantone TCX : 16-1315TCX

Logistic



1



30

Sizes	Width (cm)	Height (cm)	Length (cm)	Net weight (kg)	Gross weight (kg)	Pieces/Box	Pieces/Bundle
One Size	54.00	30.00	41.00	11.5	13.5	30	1