

KI3215

Cotton bag with front pockets

- Faded cotton.
- Wide base with gusset.
- Decorative rivets reinforce the link between the handles and the body of the bag.

100% cotton. Handbag with wide bottom and gusset in faded cotton, for a vintage look. Faded products are unique and may feature slight variations in colour. Handles in the same material as the bag. Decorative safety rivets between the handles and the body of the bag. Magnetic button fastening. Two large gusseted outside pockets with press stud fastening, designed for easy customisation.



Certifications



More information

Logistic



Country of origin



IN - India

Customs code



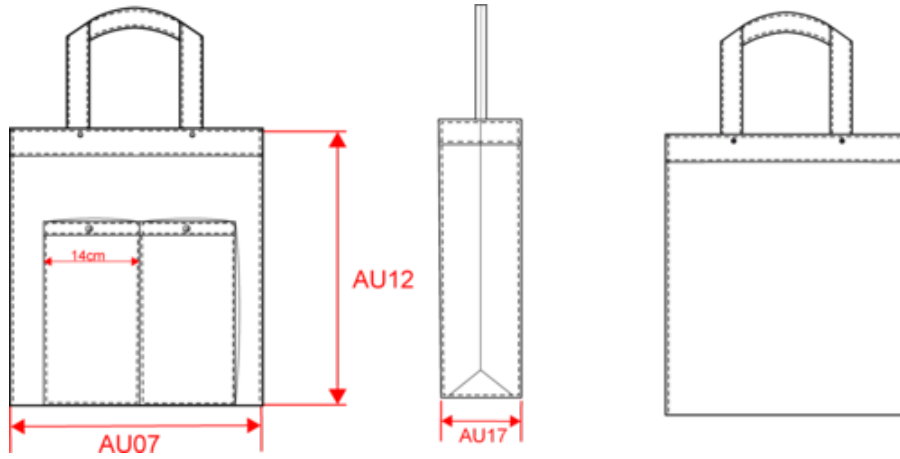
42029298



KI3215

Cotton bag with front pockets

Dimensions (cm)



| Measurements in cm | One Size |
|---------------------|----------|
| AU07 - Total width | 32.00 |
| AU12 - Total height | 34.00 |
| AU17 - Total depth | 10.00 |



KI3215

Cotton bag with front pockets

Colours information



Washed Black

RVB : 43,39,42
Pantone C : Neutral Black
Pantone TCX : 19-4008TCX



Washed Cinnamon

RVB : 153,110,73
Pantone C : 7574C
Pantone TCX : 17-1044TCX



Washed Ivory

RVB : 243,232,220
Pantone C : 7534C
Pantone TCX : 11-4202TCX



Washed Kombu Green

RVB : 77,75,62
Pantone C : Black2C
Pantone TCX : 19-0511TCX



Washed Navy

RVB : 46,54,68
Pantone C : 432C
Pantone TCX : 19-4022TCX



Washed Russet

RVB : 103,50,40
Pantone C : 175C
Pantone TCX : 19-1435TCX



Washed Steeple Grey

RVB : 118,108,109
Pantone C : 2334C
Pantone TCX : 18-3801TCX

Logistic



1



40

| Sizes | Width (cm) | Height (cm) | Length (cm) | Net weight (kg) | Gross weight (kg) | Pieces/Box | Pieces/Bundle |
|----------|------------|-------------|-------------|-----------------|-------------------|------------|---------------|
| One Size | 32.00 | 25.00 | 38.00 | 9.2 | 9.9 | 40 | 1 |